



Notice of Overall J/24 District 14 Racing

(Effective 27 February 2023)



1. Invitation

You are cordially invited to participate in J/24 one-design racing on USJCA District 14 as specified in this 2023 Notice of Overall J/24 District 14 Racing (“Notice of Overall Racing”), to be held from February through December 2023, and sponsored by the U.S. J/24 Class Association (“USJCA”) District 14 (“D14”), its local fleets and yacht clubs. J/24 District 14 racing as defined in this Notice of Overall Racing is administered by the USJCA District 14 Governor (“Governor”).

2. Getting Started

Competitors new to D14 Racing are welcome to visit our Getting Started page: <https://j24district14.com/getting-started/>

3. Eligibility

D14 Racing is open to all J/24 boats as defined by the International J/24 Class. All helmspersons must have purchased a Full Membership to the J/24 National or International Class and meet requirements for boat and crew as specified by this Notice of Overall Racing, and the associated “Notice of Circuit” or “Notice of D14 Series” shown below, in order to become participants in the “Circuit” or the “Series”.

4. Notices and Rules

The D14 competitive racing offerings are defined by the J/24 Texas Notice of Circuit (“Notice of Circuit”) and the J/24 District 14 Notice of D14 Series (“Notice of D14 Series”) containing its respective rules. More information may be found at each link below:

- 2023 J/24 Texas Notice of Circuit:
<https://j24district14.com/wp-content/uploads/2023-J24-Texas-Notice-of-Circuit-Rev-9.pdf>
- 2023 J/24 District 14 Notice of D14 Series (North Series, South Series, Super Series):
<https://j24district14.com/wp-content/uploads/2023-District-14-Notice-of-D14-Series-Rev-8.pdf>

5. District 14 Registration and Fees

Yearly registration is required for participation on District 14 events, and is available online via the [Sailing Scores](#) website using the [2023 J24 D14 Yearly Registration Fees](#) event (https://www.sailingscores.com/event.php?event_id=208). This District 14 yearly registration requirement is in addition to the registration requirements for each individual regatta. Prior to registering for their first regatta, each helmsperson shall register his/her boat for one of the following options:

Option	Registration	Entitlement	Scoring	Fee
1	J/24 Texas Circuit	Scoring on J/24 Texas Circuit	7 Stops	\$45
2	D14 Series	Scoring on the North or South Series	Best 4	\$30
3	D14 Super Series	Scoring on the J/24 Texas Circuit, the D14 Series (North or South), and the D14 Super Series	Best 9	\$50
4	D14 Single Regatta	Scoring of a single D14 event, or Reservation of a Bow Number	Single Regatta	\$15

6. District 14 Racing Schedule

The 2023 D14 Racing Schedule is comprised of the following twenty-five (25) regattas:

	Location	Organizer	Event	Type ^(3,4)	Date
1	Shoreacres, TX	Houston Yacht Club	HYC Midwinters	D14	Feb 25-26
2	Heath, TX	Rush Creek Yacht Club	Texas Independence Day	D14, TX Circuit	Mar 4-5
3	New Orleans, LA	New Orleans Yacht Club	Mardi Gras Regatta	D14	Mar 18-19
4	Austin, TX	Austin Yacht Club	March Madness ⁽⁵⁾	Cancelled	Mar 31-Apr 2
5	Fort Worth, TX	Fort Worth Boat Club	Cowtown Stampede	D14, TX Circuit	April 22-23
6	Clear Lake Shores, TX	Galveston Bay Cruising Association	Performance Cup	D14	April 22-23
7	Grapevine, TX	Grapevine Sailing Club	Mayor's Cup	D14	Apr 28-30
8	Shoreacres, TX	Houston Yacht Club	Battleship Texas Regatta	D14	May 6-7
9	Oak Point, TX	Dallas Corinthian Yacht Club	Corinthian Heritage Cup	D14, TX Circuit	May 19-21
10	Seabrook, TX	Lakewood Yacht Club	Shoe Regatta	D14	May 20-21
11	Austin, TX	Austin Yacht Club	Governor's Cup	D14	June 10-11
12	Corpus Christi, TX	Corpus Christi Yacht Club	Surfin' Safari	D14, TX Circuit	June 24-25
13	Oklahoma City, OK	Oklahoma City Boat Club	Lighthouse Charity	D14	June 24-25
14	Corpus Christi, TX	Corpus Christi Yacht Club	Navy Regatta	D14	Aug 4-6
15	Dillon, CO	Dillon Yacht Club	Dillon Open Regatta	D14	Aug 25-27
16	Grapevine, TX	Grapevine Sailing Club	Goldrush	D14	Sep 8-10
17	Shoreacres, TX	Houston Yacht Club	Houston Open One Design	D14, TX Circuit	Sep 16-17
18	Heath, TX	Rush Creek Yacht Club	George Griffith Regatta	D14	(Pending)
	Grapevine, TX	Grapevine Sailing Club	Girls Got Guts ⁽¹⁾	Women's TXCH	Sep 23
19	Austin, TX	Austin Yacht Club	Fall Regatta	D14	Sep 30-Oct 1
20	Fort Worth, TX	Fort Worth Boat Club	Ol' Man of the Sea	D14	Oct 14-15
21	Seabrook, TX	Lakewood Yacht Club	J/Fest Southwest ⁽²⁾	D14, TX Circuit	Oct 7-8
22	Oak Point, TX	Dallas Corinthian Yacht Club	Terlingua in Exile	D14	Oct 20-22
23	Canyon Lake, TX	Lake Canyon Yacht Club	Wurstfest II	D14, TX Circuit	Nov 11-12
24	Shoreacres, TX	Houston Yacht Club	HYC Turkey Day Regatta	D14	Nov 18-19
25	Seabrook, TX	Seabrook Sailing Club	Best of the Bay	D14	Dec 1-3

(1) GSC Girls Got Guts Regatta will host the 2023 J/24 Texas Women's Championship. This regatta is not part of the D14 Series, but it is shown above as part of overall J/24 District 14 racing.

(2) LYC J/Fest Southwest Regatta will host the 2023 USJCA Southwest Regional Championship (Qualifier for the 2024 J/24 World Championship).

(3) Events in the J/24 Texas Circuit are labeled "TX Circuit".

(4) Events in the D14 North Series, South Series, and Super Series are labeled "D14".

(5) AYC March Madness Regatta cancelled due to low water levels on Lake Travis.

7. Racing, Scoring, and Co-Helming

Racing formats, scoring, and Co-Helming requirements are defined within the respective Notice of Circuit (for the J/24 Texas Circuit) and the Notice of D14 Series (for the D14 North Series, South Series, and Super Series).

8. Measurement

In D14, Measurement is encouraged to help promote fairness amongst its competitors. Rules regarding measurement are identified in the respective Notice of Circuit and Notice of D14 Series. J/24 Class Measurers are listed on the class website at the following location: <http://j24usa.com/organization/measurement-committee/>

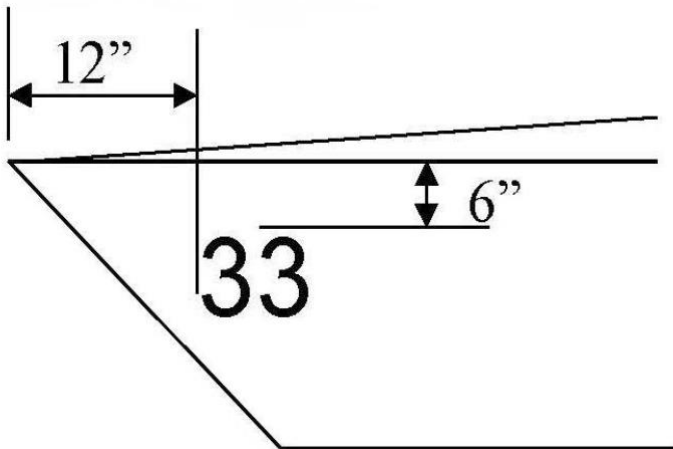
9. Bow Numbers

For scoring and identification of boats, unique bow numbers are required for participation in all D14 Racing (including the J/24 Texas Circuit and the D14 Series).

Bow numbers must be affixed to both external port and starboard sides of the forward bow area of each competing boat's hull. These numbers must be affixed as follows:

1. The leading edge of the forward number shall be approximately 12" aft of the stem.
2. The top edge of both numbers shall be approximately 6" from the rail.
3. All numbers must contrast with the color of the hull and be at least 12" in height.

Position Bow Numbers on your boat as shown in the figure below.



It is the responsibility of each participating boat to obtain and affix their bow numbers to their boat. Bow numbers will be assigned to each participating boat for the duration of the year. Bow numbers 01 through 10 are pre-assigned to the top ten (10) teams based on the previous year's standings on the J/24 Texas Circuit.

Bow numbers 11 through 99 are available for teams on a first come basis. Bow numbers 11 through 99 used in the previous year will be reserved for the boat that declared it in that previous year.

Available bow numbers can be reserved via the [Sailing Scores](#) website as set forth in the registration section above. New competitors who are registering a bow number for the first time are encouraged to look at the previous year registration list (using the [2022 J24 D14 Yearly Registration Fees](#) event) to make sure the bow number they intend to register is not already reserved.

Bow numbers for the current year are considered declared once a boat has registered for a regatta using the declared Bow number. Issues relating to bow numbers (e.g. assignment, placement, size, etc.) will be resolved solely by the Governor.

10. J/24 Texas Women's Championship

For 2023 the J/24 Texas Women's Championship ("Women's TXCH") will be hosted by the Grapevine Sailing Club (2500 Oak Grove Loop South, Grapevine, Texas 76051) as part of their Girls Got Guts Regatta, Saturday September 23, 2023.

In order to qualify for the J/24 Texas Women's Championship, boats shall be helmed by women.

This is a standalone event and is not scored as part of the D14 Series or the TX Circuit. More information regarding the Women's TXCH will be published by the Organizing Authority of the Girls Got Guts Regatta as part of their Notice of Race and Sailing Instructions.

11. Prizes

J/24 Texas Circuit and D14 Series-specific awards are defined in their respective Notices. Additional D14 prizes will also be awarded to our D14-specific participants.

- **J/24 Texas Women's Champion** – (Perpetual Trophy) – Awarded to the winner of the J/24 Texas Women's Championship.
- **D14 North Series Champion** – (Perpetual Trophy) – Awarded to the winner of the D14 North Series.
- **D14 South Series Champion** – (Perpetual Trophy) – Awarded to the winner of the D14 South Series.
- **D14 Super Series Champion** – (Perpetual Trophy) – Awarded to the winner of the D14 Super Series.
- **J/24 Texas Circuit Champion** – (Perpetual Trophy) – Awarded to the winner of the J/24 Texas Circuit.
- **Road Warrior** – Awarded to those crewmembers that participated in all scheduled regattas of the J/24 Texas Circuit. See the J/24 Texas Notice of Circuit for more information.
- **Crew Most Valuable Player** – Awarded to a District 14 crew member that has gone above and beyond the call of duty to help make a team successful.
- **Rookie of the Year** – Awarded to a deserving new District 14 helmsperson.
- **Most Traveled/Competed** – (Perpetual Trophy) – Awarded to the District 14 team that has clearly shown their commitment to racing their J/24 in a traveling capacity.

12. Qualification for 2024 J/24 World Championship

See the J/24 Texas Notice of Circuit for allocation of berths for the 2024 J/24 World Championship.

13. J/24 Class Membership

All helmspersons must have purchased a Full Membership to the J/24 Class in order to participate in District 14 events. Full and Associate membership may be obtained online at <http://j24usa.com/membership/>

Crewmembers, other than helmspersons, are not required to be class members. However, they are encouraged to join in support of the USJCA by becoming Associate Members (\$35 per year).

14. US Sailing Membership and Discounts

Most of the regattas in District 14 will offer a discount on the entry fee with a US Sailing membership. Although not required, we encourage US Sailing membership. Individual membership (\$65 per year) may be obtained online at <https://www1.ussailing.org/mem/default.aspx>

15. Proof of Insurance

It has become a regular practice to require proof of insurance as a condition of entry to regattas. Each participating boat should be prepared to provide proof of valid third-party insurance with a minimum coverage of \$300,000 per incident or the amount as required by the regatta organizers.

Each boat owner should research insurance options. One such option is Gowrie Group who provides One Design focused insurance: <https://www.gowrie.com/USsailingPrograms/OneDesignProgram.aspx>

16. J/24 Class Rules

Certain J/24 Class Rules are outlined within the District 14 documents to highlight some pertinent rules. However, each person participating in District 14 racing is encouraged to review and learn the class rules. Current class rules may be accessed here: <http://www.j24class.org/rules-regulations/class-rules/>

17. Disclaimer of Liability

Competitors participate in these races entirely at their own risk. See RRS 3, Decision to Race. The organizing authority will not accept any liability for material damage, personal injury or death sustained in conjunction with or prior to, during, or after a race, series or regatta.

18. Additional Information

For more information regarding District 14 racing, please feel free to visit our website (www.j24district14.com) or contact the Governor and/or one of the Circuit Representatives:

John Parker:	USJCA District 14 Governor,	(512) 983-2582,	governor@j24district14.com
James Freedman:	Circuit Rep (Dallas),	(214) 864-6024,	jamesofreedman@gmail.com
Tim Johnson:	Circuit Rep (Houston),	(972) 832-5494,	graywolf-60@outlook.com
Brian Metz:	Circuit Rep (Austin),	(512) 964-4108,	b_metz67@msn.com
Mark Smith:	Circuit Rep (Fort Worth),	(469) 766-0277,	mark@verticaldatacom.com
Doug Weakly:	Circuit Rep (Corpus Christi),	(361) 815-3822,	doug.weakly@yahoo.com